

IBOX-605

6/7/8/9th Gen Intel® Core™ Processor - Industrial PC



FEATURES

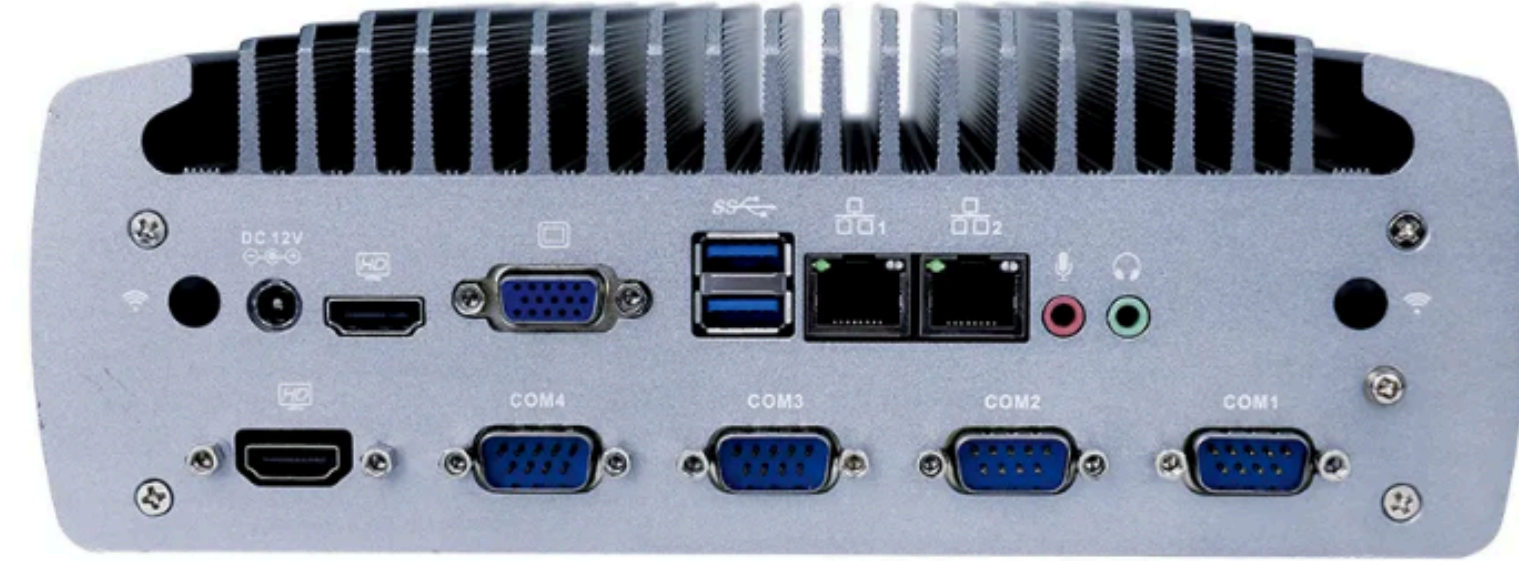
- Fanless Aluminum Design
- 6/7/8/9th Gen Intel® Core™ Processor
- Intel® H310 Chipset
- 2 × DDR4, Max. 32G
- 1 × M.2, 2 × 2.5-inch HDD (optional)
- 6 × COM Ports (1 × COM RS232/422/485 optional)
- DC 12 ~19V (DC 9~36V wide voltage optional)

SPECIFICATION

SYSTEM		
Processor	Intel® Core™ i3-8100T (quad core four threads, 3.1 GHz) Intel® Core™ i5-8500T (6 core, 6 threads, 2.1 GHz, Max. Turbo 3.5 GHz) Intel® Core™ i7-8700T (6 core, 12 threads, 2.4 GHz, Max. Turbo 4.0 GHz)	
Chipset	Intel® H310	
Memory	2 × DDR4 2133/2400MHz SODIMM, Max. 32 GB	
BIOS	AMI EFI BIOS	
Display Chip	Intel® HD Graphics 630	
Display Port	1 × VGA 2 × HDMI	Support synchronous/asynchronous 2 display
Storage	1 × M.2 2280 1 × 2.5-inch HDD (2 × 2.5-inch HDD optional)	
Expansion	1 × M.2 2280 (Compatible: PCIe and SATA signal) 1 × Mini PCIe (support WiFi/Bluetooth) Expansion Port: GPIO (4 Input × 4 Output)	
OS Support	Windows 10, Linux	
Front I/O	1 × Power Button 6 × USB 2.0 2 × COM Ports	
Rear I/O	2 × USB 3.0 2 × 1000Mbps LAN Ports 1 × VGA 2 × HDMI 1 × Mic 1 × Line Out 4 × COM Ports (COM2 support RS232/422/485) 1 × DC-In	
Ethernet	2 × RTL8111H 1000Mbps LAN Ports	
Power	DC 12 ~ 19V (DC 9 ~ 36V wide voltage optional)	
Other Function	Auto power on when there is electricity, Timing boot, Wake on LAN, PXE boot, Watchdog (0~255 level)	
Application	Industrial Automation, Medical, Data Acquisition, Motion Control, Vehicle Application and etc.	
ENVIRONMENT		
Operating Temperature	0°C ~ 50°C (Commercial HDD), -20°C ~ 60°C (Industrial SSD), surface air flow	
Relative Humidity	5% ~ 95% (non-condensing)	
Certification	CE, CCC, FCC Class A, RoHS	
MECHANISM		
Dimension	230 × 219 × 84 mm (not include wall bracket)	
Net Weight	4.0 kg (not include wall bracket)	



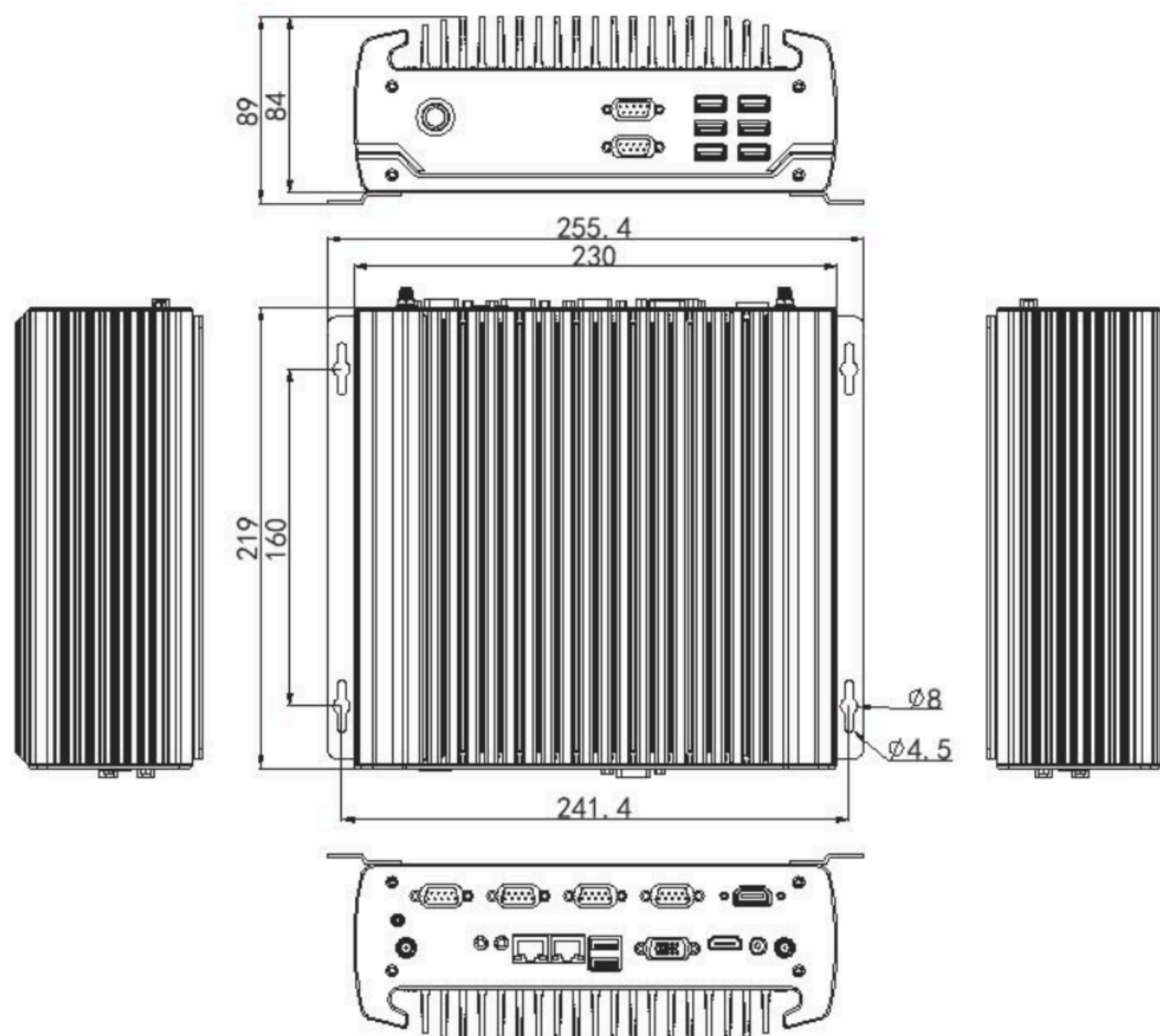
Front View



Rear View

DIMENSION

unit:mm



ORDER INFORMATION

IBOX-605	CPU	Specification
Configuration 1	Intel® Core™ i3-8100T	Standard I/O
Configuration 2	Intel® Core™ i5-8500T	Standard I/O
Configuration 3	Intel® Core™ i7-8700T	Standard I/O

ACCESSORY

Part Name	Quantity	Specification
Power Adapter	1	12V 10A / 12V 12.5A optional
Power Cord	1	CN, US, UK, EU etc.
Wall Bracket	2	Standard
CD Driver	1	Neutral